

RAYCAST® HIGH PRECISION BASE PLATE-TO-COUCH TOP FIXATION DEVICES

LOXON™ IN PLASTIC FOR HP SYSTEM ON EXACT® COUCH TOPS



Article No. : **33168**

A. GENERAL PRODUCT INFORMATION

The product referred to in these instructions is a device used to connect RAYCAST HP base plates to an Exact® couch top.

This product may only be used in combination with immobilisation masks produced by Orfit. Orfit prohibits the use of unauthorized third-party products in conjunction with its own products.

B. PRODUCT DESCRIPTION

LOXON IN PLASTIC for HP is designed for reproducible positioning and stable fixation of Orfit base plates 32110 (HP Base Plate in CFL) and 35751N (HP Base Plate in HPL) on any couch with Exact® indexing capabilities. Information on these other parts can be found in the respective 'instructions for use' and on www.orfit.com.

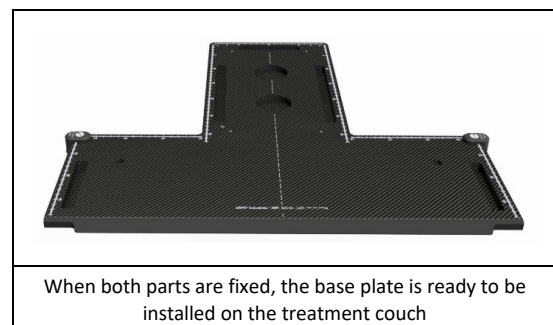
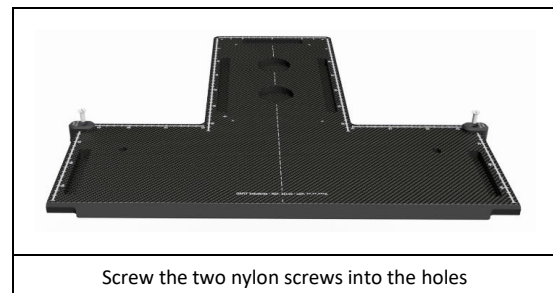
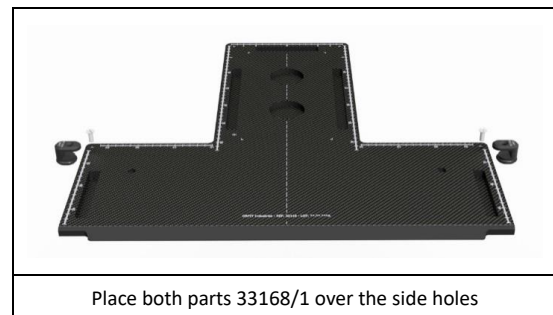
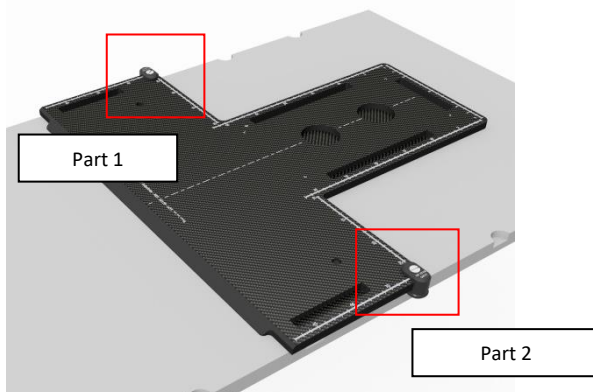
C. PARTS LIST

Article number	Description	pieces
33168/1	Set of the fixation devices	2
29053/1/5	Nylon screw M6 x 16	2
32181/2	O-ring, 17 x 5	2

D. FIXATION TO BASE PLATES

Fixation to the 32110 and 35751N base plates

LOXON consists of two identical pieces that are mounted on both sides of the base plate as shown below:



The two parts of LOXON are mounted on the Orfit Industries base plate with the M6 x 16 screws supplied in the package. Always mount the fixation devices on the base plate before installing the base plate on the couch.

E. STORAGE

Always store the product in a safe place to prevent it from getting damaged.
Store the product between +10°C (50°F) and 40 °C (122°F).

F. PROPERTIES

Physical Properties

Dimensions (1 item): L 35 mm x W 20.5 mm x H 27.5 mm
L 1.38" x W 0.81" x H 1.08"

Weight (1 item): 0.01 kg
0.02 lbs

Mechanical Properties

The LOXON IN PLASTIC is made of POM. This provides the necessary stability to get accurate patient positioning even under frequent use.

Dosimetric Properties

Because of the high density of the POM material, do not use in the path of the beam.

G. STORAGE

Always store the product in a safe place to prevent it from getting damaged.

H. MAINTENANCE AND WASTE MANAGEMENT

This product can be cleaned and disinfected by means of soapy water or an isopropanol based disinfectant, applied with a soft cloth. If unsure about the cleaning fluid, do not use. **Never use aerosol sprays, corrosive cleaning agents, solvents or abrasive detergents.**

Periodic checks of the products should be done to insure the parts are not worn and require repair or replacement. **Do not attempt to make repairs yourself**, but contact your distributor if there are any questions or concerns.

The product can be disposed of with household waste.

I. ADDITIONAL INFORMATION

For additional information such as distributor contact information, product brochures, Safety Data Sheets and regulatory information, please visit our website www.orfit.com.

Note:

It is prohibited to make alterations to this text without prior approval from Orfit Industries.
RAYCAST® and EXACT® are registered trademarks of Orfit Industries. LOXON™ is a trademark of Orfit Industries.



ORFIT INDUSTRIES
Vosveld 9A | B-2110 Wijnegem | Belgium
T (+32) (0)3 326 20 26
welcome@orfit.com

www.orfit.com



Ref. No. 50106
VERSION 1
LAST UPDATE: 02/04/2021
REVISION DATE: 02/04/2023