

THE AIO SOLUTION® ACCESSORIES GRIP POLE SYSTEM

AIO SOLUTION® code:
AC-GP



Article No. : **32015/9**

A. GENERAL PRODUCT INFORMATION

The products referred to in these instructions are medical devices, used for patient positioning and immobilisation in radiation therapy. This product may only be used in combination with Orfit immobilisation products. Orfit prohibits the use of unauthorised third-party products in conjunction with its own products.

B. PRODUCT DESCRIPTION

This GRIP POLE SYSTEM is a part of the "AIO SOLUTION® BREAST- & LUNGBOARD PACKAGE". It serves as a reference point for the hands of the patients during thoracic treatments on THE AIO SOLUTION®. It is used in combination with the other BREAST- & LUNGBOARD CUSHIONS, THE AIO SOLUTION® BASE PLATES and the EFFICAST® PRE-CUTS to form a reproducible patient positioning and immobilisation system. Information on these other parts can be found in the respective 'instructions for use' and on www.orfit.com.

The GRIP POLE SYSTEM consists of the following elements:

	32015/9/1	Grip pole collar
	32015/9/2	Grip pole – long (2 pieces)
	32015/9/3	Grip pole – short (2 pieces)
	32015/9/5	Screws (2 pieces)
	32015/10	Horizontal Grip Pole
	32015/5	Protruding Hand Grip

C. PRECAUTIONS FOR USE

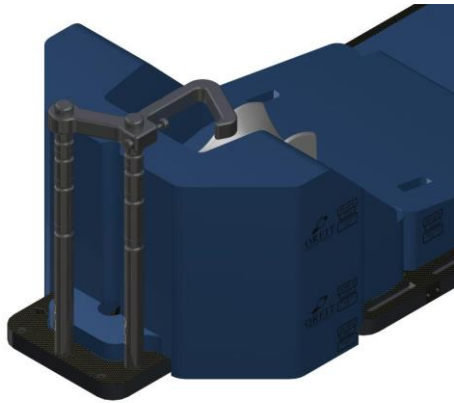
Always use this GRIP POLE SYSTEM in combination with the other AIO SOLUTION® BREAST- & LUNGBOARD CUSHIONS on one of the AIO SOLUTION® base plates. Place the GRIP POLE COLLAR in the dedicated positioning holes in the base plate (marked A, B and D on the Base Plate). Use the two SCREWS to fix the GRIP POLE COLLAR to the base plate. (see image below) Always verify that the BASIC BLOCK is positioned correctly on the base plate.



The GRIP POLE COLLAR has three holes in its top surface that can hold the GRIP POLES. To place the HORIZONTAL HAND GRIP, slip the device over two GRIP POLES (either LONG or SHORT). These grip poles have engravings that serve as an index to position and lock the HORIZONTAL GRIP POLE.



To place the PROTRUDING HAND GRIP, slip the device over two GRIP POLES as shown below (either LONG or SHORT). The grip poles have engravings that serve as an index to position and lock the hand grip.



Please note that this GRIP POLE SYSTEM serves as a reference point for the hands and arms of the patient and not as a means to reposition the patient. Patients should therefore not use these GRIP POLES to reposition themselves as this will lead to damaged grip poles or base plate.

D. STORAGE

Always store the product in a safe place to prevent it from getting damaged. Store the product in such a way that they cannot fall or bump against anything. Never place the poles under load or pressure.

Store the system between + 10°C (50°F) and 40°C (122°F).

E. PROPERTIES

E.1. Basic Physical Properties

The following physical properties apply to this GRIP POLE SYSTEM:

GRIP POLE COLLAR:

Dimensions: L 245 mm x D 62 mm x H 120 mm

Weight: 1,0 kg

GRIP POLE LONG:

Dimensions: L 446 mm x D 30 mm

Weight: 0,30 KG

Grip Pole Long is made entirely of electrically non-conductive, non-metallic and non-magnetic materials and is MRI safe.



GRIP POLE SHORT:

Dimensions: L 362 mm x D 30 mm

Weight: 0,24 Kg

Grip Pole Short is made entirely of electrically non-conductive, non-metallic and non-magnetic materials and is MRI safe.



SCREWS:

Dimensions: L 37 mm x D 25 mm

Weight: 0.004 Kg

HORIZONTAL GRIP POLES:

Dimensions: L 470 mm x H 85 mm x D 38 mm

Weight: 0,80 kg

PROTUDING GRIP POLE

Dimensions: L 270 mm x W 30 mm x H 135 mm

Weight: 0,44 kg

E.2. Mechanical Properties

The elements of the GRIP POLE SYSTEM (except the SCREWS) are made of POM, which keeps its dimensions overtime and under conditions of frequent use.

The SCREWS are made of Nylon.

F. MAINTENANCE AND WASTE MANAGEMENT

This product can be cleaned and disinfected by means of soapy water or an isopropanol based disinfectant, applied with a soft cloth. If unsure about the cleaning fluid, do not use. **Never use aerosol sprays, corrosive cleaning agents, solvents or abrasive detergents.**

Periodic checks of the product should be done to insure the parts are not worn and require repair or replacement. **Do not attempt to make repairs yourself.** Contact your distributor if there are any questions or concerns.

The product can be disposed of with household waste.

G. ADDITIONAL INFORMATION

For additional information such as distributor contact information, product brochures, Safety Data Sheets and regulatory information, please visit our website www.orfit.com.

Note:

The instructions were written in accordance with the European Directive 93/42/EEC for Medical Devices. It is prohibited to make alterations to this text without prior approval from Orfit Industries. THE AIO SOLUTION® and EFFICAST® are registered trademarks of ORFIT Industries.



ORFIT INDUSTRIES

Vosveld 9A | B-2110 Wijnegem | Belgium
T (+32) (0)3 326 20 26
welcome@orfit.com

www.orfit.com



Ref. No. 31982

VERSION 4

LAST UPDATE: 15/03/2019

REVISION DATE: 15/03/2021